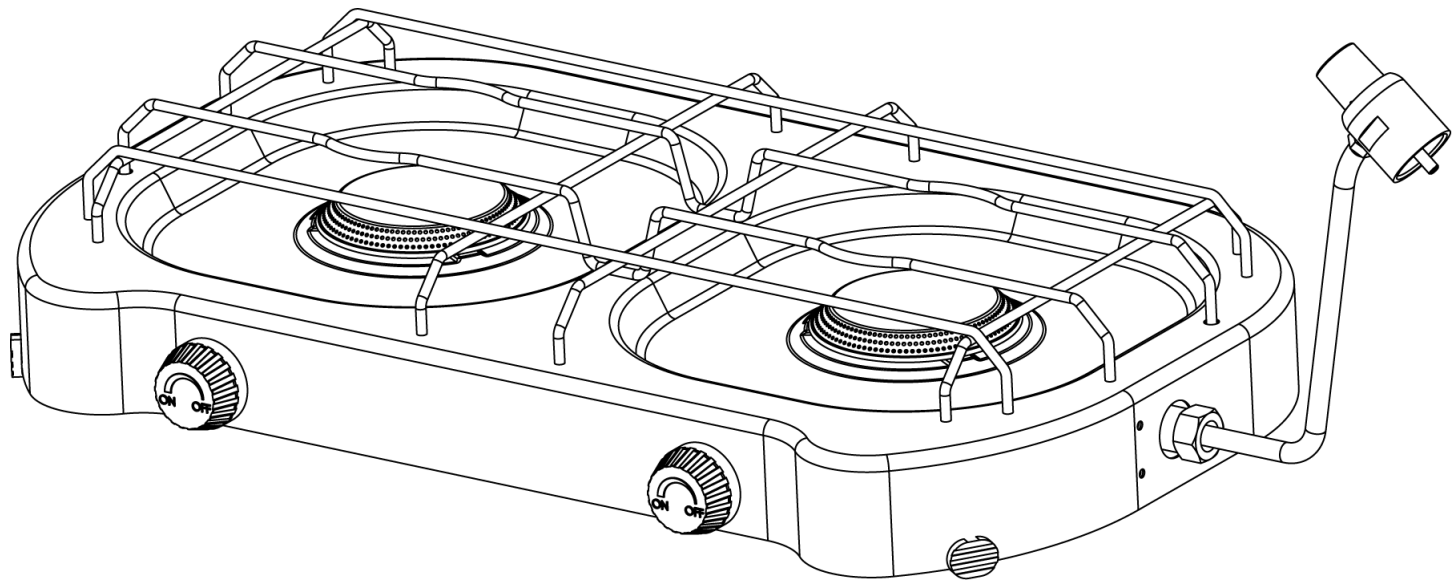




OWNER'S MANUAL

Outdoor LP Gas Camp stove

Model No. GCT803W



 DANGER	CARBON MONOXIDE HAZARD
	<ul style="list-style-type: none">• This appliance can produce carbon monoxide which has no odor.• Using it in an enclosed space can kill you.• Never use this appliance in an enclosed space such as a camper, tent, car or home.

 WARNING
FOR YOUR SAFETY:
For Outdoor Use Only (outside any enclosure)

 WARNING
FOR YOUR SAFETY:
<ol style="list-style-type: none">1. Improper installation, adjustment, alteration, service or maintenance can cause injury or property damage.2. Read the installation, operation, and maintenance instructions thoroughly before installing or servicing this equipment.3. Failure to follow these instructions could result in fire or explosion, which could cause property damage, personal injury, or death.

Save these instructions for future reference. If you are assembling this unit for someone else, give this manual to him or her to read and save for future reference.

Table of Contents	
Important Safeguards	Page 2
Exploded View & Hardware	3
Assembly Instructions	4
Operating Instructions	5
Connecting Gas Tank	5
Checking for Leaks	5
Lighting	5
Turning Off	5
First Use	5
Cooking	5
Cleaning and Care	5
Product Registration	6
Limited Warranty	6
Troubleshooting	7

The use and installation of this product must conform to local codes. In absence of local codes, use the *National Fuel Gas Code, ANSI Z223.1/NFPA 54, CAN/CGA-B149.1, Natural Gas and Propane Installation Code.*
California Proposition 65: Chemicals known to the State of California to cause cancer, birth defects, or other reproductive harm are created by the combustion of propane.



Manufactured in China for:
Blue Rhino Global Sourcing, Inc
Winston-Salem, NC USA
1.800.762.1142, www.bluerhino.com

© 2008 Blue Rhino Global Sourcing, Inc. All Rights Reserved

DANGER



If you smell gas -

1. Do not attempt to light appliance.
2. Extinguish any open flame.
3. Disconnect from fuel supply.

WARNING



FOR YOUR SAFETY

Do not store or use gasoline or other liquids with flammable vapors in the vicinity of this or any other appliance.

▲ **DANGER:** Failure to follow the dangers, warning and cautions in this manual may result in serious bodily injury or death, or in a fire or an explosion causing damage to property.

▲ **WARNING:**

- ▲ This camp stove is for outdoor use only, and shall not be used in a building, garage, or any other enclosed area.
- ▲ Do NOT operate, light or use this appliance within 8 feet of walls, structures or buildings.
- ▲ This camp stove is NOT for commercial use.
- ▲ This camp stove is for use with liquid propane (LP) gas only. The conversion to or attempted use of natural gas in this LP gas camp stove is dangerous and will void your warranty.
- ▲ LP gas Characteristics:
 - a. LP gas is flammable and hazardous if handled improperly. Become aware of the characteristics before using any LP gas product.
 - b. LP gas is explosive under pressure, heavier than air, and settles and pools in low areas.
 - c. LP gas in its natural state has no odor. For your safety, an odorant is added that smells like rotten cabbage.
 - d. Contact with LP gas can cause freeze burns to skin.
- ▲ Do not store spare LP cylinder within 10 feet (3.05 m) of this appliance.
- ▲ An LP cylinder not connected for use shall not be stored in the vicinity of this or any other appliance.
- ▲ LP gas tank needed to operate. Only tanks marked "propane" may be used.
- ▲ The LP gas tank used with the camp stove must be constructed and marked in accordance with the Specifications for LP-gas cylinders of the U.S. Department of Transportation (DOT) or *Transport Canada, CAN/CSA 339*.
- ▲ LP gas tank must be arranged for vapor withdrawal.
- ▲ Dented or rusted LP gas tanks may be hazardous and should be checked by your LP gas supplier prior to use.
- ▲ The LP gas tank should not be dropped or handled roughly.
- ▲ LP gas tanks must be stored outdoors out of the reach of children and must not be stored in a building, garage, or any other enclosed area. Your tank must never be stored where temperatures can reach over 125°F.
- ▲ Never attempt to attach this camp stove to the self-contained LP gas system of a camper trailer, motor home, or house.
- ▲ The use of alcohol, or prescription or non-prescription drugs may impair the consumer's ability to properly assemble or safely operate the appliance.
- ▲ Never use charcoal, lighter fluid, lava rocks, gasoline, kerosene, or alcohol with this product.
- ▲ Your camp stove has been checked at all factory connections for leaks. Recheck all connections, as movement in shipping can loosen connections.
- ▲ Check for leaks even if your unit was assembled for you by someone else.
- ▲ Do not operate if gas leak is present. Gas leaks may cause a fire or explosion.
- ▲ You must follow all leak-checking procedures before operating. To prevent fire or explosion hazard when testing for a leak:
 - a. Always perform leak test before lighting the camp stove and each time the tank is connected for use.
 - b. No smoking. Do not use or permit sources of ignition in the area while conducting a leak test.
 - c. Conduct the leak test outdoors in a well-ventilated area.
 - d. Do not use matches, lighters, or a flame to check for leaks.
 - e. Do not use camp stove until any and all leaks are corrected. If you are unable to stop a leak, disconnect the LP gas supply. Call a gas appliance serviceman or your local LP gas supplier.
- ▲ Do not use in an explosive atmosphere. Keep camp stove area clear and free from combustible materials, gasoline and other flammable vapors and liquids.
- ▲ Keep all combustible items and surfaces at least 21 inches (53 cm) away from the camp stove at all times. DO NOT use this camp stove or any gas product under any overhead or near any unprotected combustible constructions.
- ▲ It is essential to keep the camp stove's valve compartment, burners, and circulating air passages clean. Inspect camp stove before each use.
- ▲ Do not alter camp stove in any manner.
- ▲ Do not use the camp stove unless it is COMPLETELY assembled and all parts are securely fastened and tightened.
- ▲ This camp stove should be thoroughly cleaned and inspected on a regular basis.
- ▲ Use only the regulator provided. The replacement regulator shall be that specified by the manufacturer.
- ▲ Use only Blue Rhino Global Sourcing, Inc. factory authorized parts. The use of any part that is not factory authorized can be dangerous. This will also void your warranty.
- ▲ Do not use this appliance without reading "Operating Instructions" in this manual.
- ▲ Do not touch metal parts of camp stove until it has completely cooled (about 45 min.) to avoid burns, unless you are wearing protective gear (pot holders, gloves, BBQ mittens, etc.).
- ▲ Do not install or use in or on boats or recreational vehicles.
- ▲ When cooking, fire extinguishing materials shall be readily accessible. In the event of an oil grease fire, do not attempt to extinguish with water. Use type BC dry chemical fire extinguisher or smother with dirt, sand or baking soda.
- ▲ Do not use camp stove in high winds.
- ▲ Never lean over the camp stove when lighting.
- ▲ Do NOT use this camp stove if any part has been under water. Immediately call a qualified service technician to inspect the appliance and to replace any part or control system and any gas control which has been under water.
- ▲ Do not leave a lit camp stove unattended, especially keep children and pets away from camp stove at all times.
- ▲ Do not attempt to move camp stove when in use. Allow the camp stove to cool before moving or storing.
- ▲ Storage of camp stove indoors is permissible only if the tank is disconnected, removed from the camp stove and properly stored outdoors.
- ▲ Do not attempt to disconnect the gas regulator from the tank or any gas fitting while the camp stove is in use.
- ▲ Disconnect cylinder when not in use.
- ▲ Always use your camp stove on a hard, non-combustible level surface. An asphalt or blacktop surface may not be acceptable for this purpose.
- ▲ Do not use directly on wooden decks and wooden picnic tables.
- ▲ Keep all electrical cords away from a hot camp stove.
- ▲ Do not use camp stove for indoor cooking or heating. TOXIC fumes can accumulate and cause asphyxiation.
- ▲ After a period of storage and/or nonuse, check for leaks, and burner obstructions.
- ▲ If camp stove is not in use, the tank must be disconnected and stored in a proper location.
- ▲ Always use a meat thermometer to ensure food is cooked to a safe temperature.
- ▲ Never cover entire cooking area with aluminum foil.
- ▲ Do not store a spare LP gas tank under or near this appliance.
- ▲ Please use protective gloves when assembling this product.
- ▲ Do not force parts together as this can result in personal injury or damage to the product.
- ▲ Deaths, serious injury or damage to property may occur if the above is not followed exactly.

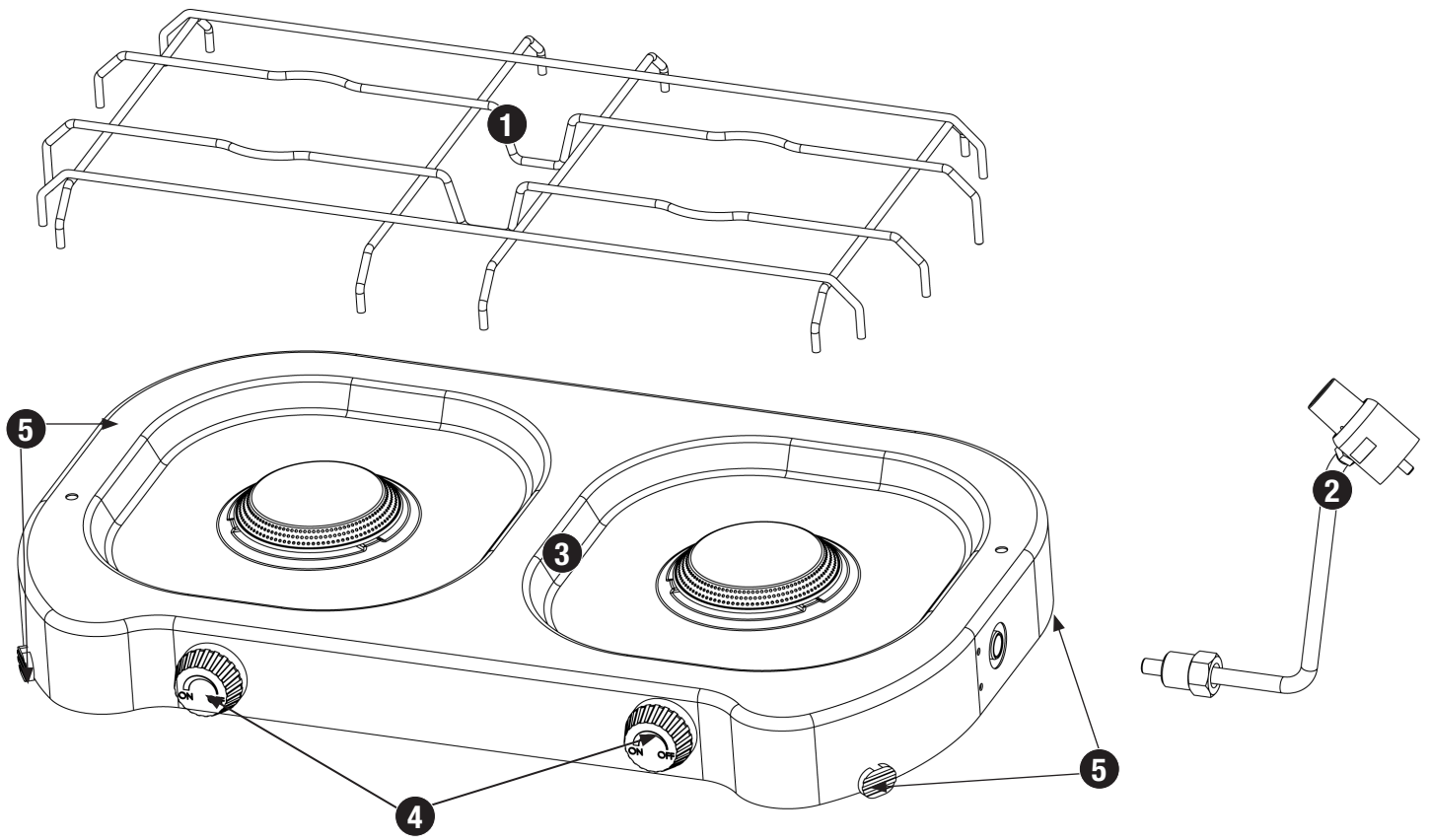
Contact 1.800.762.1142 for assistance. Do not return to place of purchase.

Parts List

1	Cooking Grid	55-09-212
2	Regulator	55-09-214
3	Body Assembly	55-09-209
4	Control Knob (2)*	55-09-211
5	Foot (4)	55-09-213

* Pre-assembled

Exploded View



Hardware

A	Wing Nut	M5 Steel	2 pcs
---	----------	----------	-------

Assembly Instructions

1 DO NOT RETURN PRODUCT TO STORE.

For assistance call **1.800.762.1142** toll free. Please have your owner's manual and serial number available for reference.

For Easiest Assembly:

- To avoid losing any small components or hardware, assemble your product on a hard level surface that does not have cracks or openings.
- Clear an area large enough to layout all components and hardware.
- When applicable, tighten all hardware connections by hand first. Once the step is completed go back and fully tighten all hardware.
- Follow all steps in order to properly assemble your product.

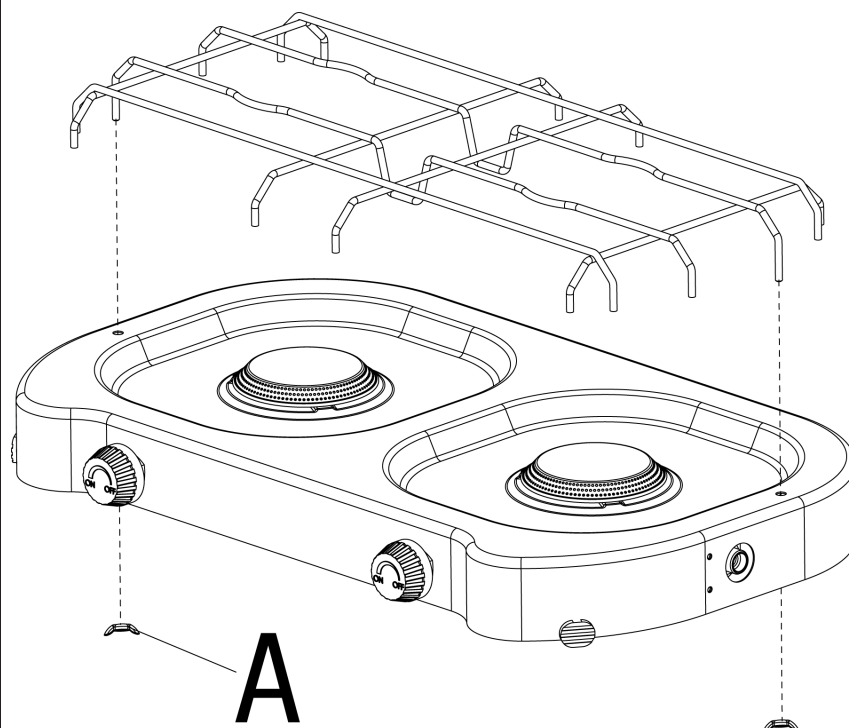
To complete assembly you will need:

- (1) Leak Detection Solution (Instructions on how to make solution are included in "Operating Instructions" section)
- (1) 14.1 oz LP gas tank.

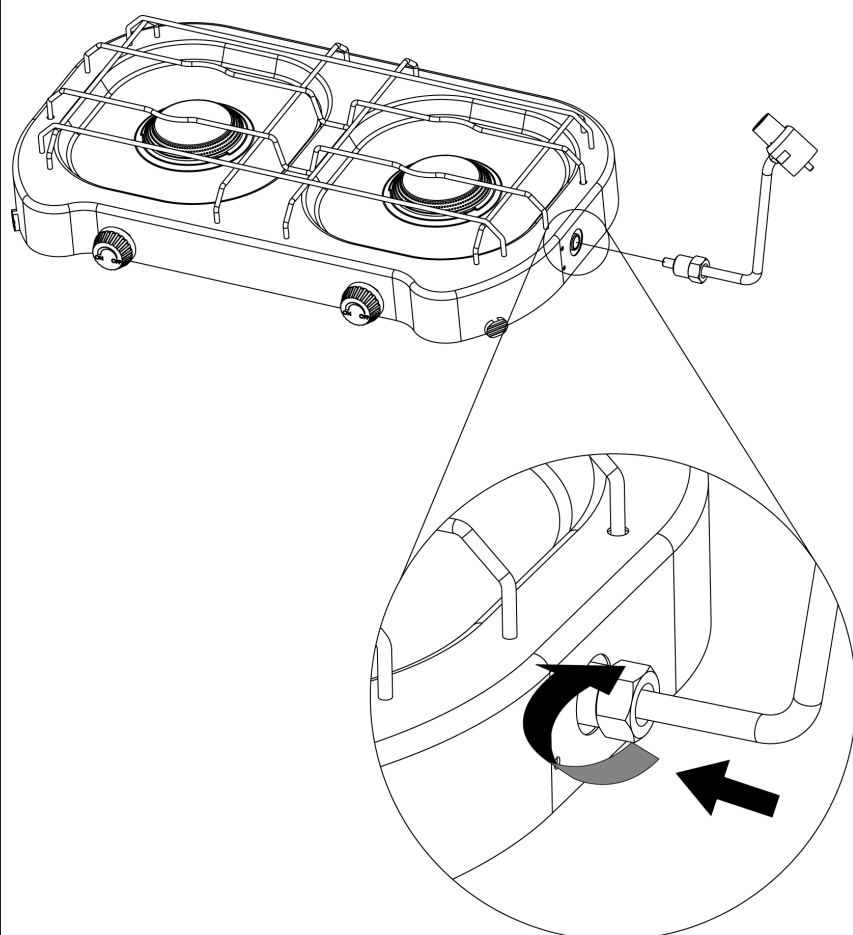
Note: You must follow all steps to properly assemble grill.

Typical assembly: approximately 5 minutes.

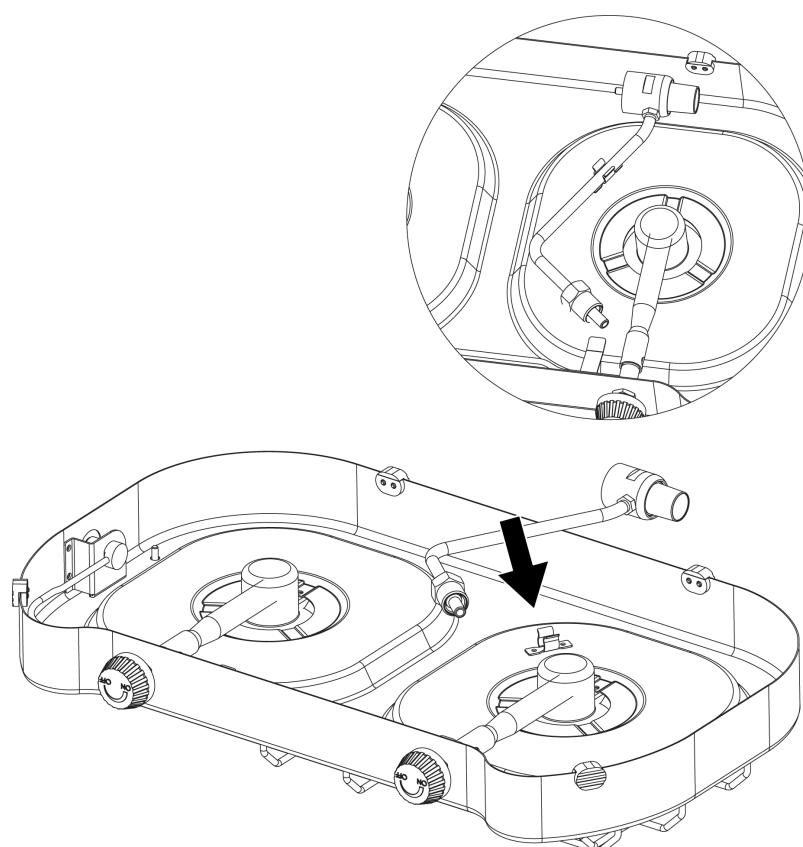
2 Attach Cooking Grid



3 Attach Regulator



Storage of Regulator When Not In Use



Operating Instructions

This camp stove is designed to operate with a one pound 7-3/8" high disposable / 14.1 oz. propane gas tank (DOT 39 Cylinder).

DO NOT ATTEMPT TO REFILL ANY ONE POUND (14.1 oz.) PROPANE GAS TANKS!

Connecting Gas Tank

1. Make sure the regulator/control valve is in the "OFF" position. (Figure 1)
2. Lubricate the threads of the regulator valve with petroleum jelly, insert the gas tank into the regulator valve and hand-tighten firmly. (Figure 2)
3. Test for leaks

Checking for Leaks

Burner Connection

1. Make sure the control valve is securely fastened to the burner. (Figure 3)
If your unit was assembled for you, visually check the connection between the burner and control valve.

⚠ WARNING: Failure to inspect this connection or follow these instructions could cause a fire or an explosion which can cause death, serious bodily injury, or damage to property.

2. If the burner pipe does not rest flush to the control valve, please contact 1.800.762.1142 for assistance.

Regulator / 1lbs. LP Gas Tank Connection

1. Make 2-3 oz. of leak solution by mixing one part liquid dishwashing soap with three parts water.
2. Make sure control knob is "OFF". (Figure 1)
3. Spoon several drops of solution, or use squirt bottle, at the LP gas tank to regulator connection. (Figure 3 & 4)
4. Inspect the solution at the connection, looking for bubbles.
 - If NO bubbles appear, the connections are secure.
 - If bubbles appear, you have a leak.
 - a. Loosen and retighten this connection, making sure the connection is secure.
 - b. Retest with solution.
 - If you continue to see bubbles after several attempts, disconnect propane source and contact 1.800.762.1142 for assistance.

Lighting

⚠ DO NOT expose the camp stove to flammable vapors or liquids during lighting.

1. Make sure all labels, packaging and protective films have been removed from the camp stove.
2. Make sure there are no obstructions of airflow to the gas unit. Spiders and insects can nest within and clog the burner / venturi tube at the orifice.
A clogged burner tube can lead to a fire beneath the appliance.
3. Control knobs must be in the "OFF" position.
4. Wearing Heat resistant gloves, position the lit long match or lit long butane lighter near the side of the burner.
 - a. Turn control knob counterclockwise to "ON".
 - b. Remove long match/long butane lighter.
6. If ignition does not occur in 5 seconds, turn burner control knob "OFF", wait 5 minutes and repeat lighting procedure.
6. After lighting, observe the burner flame. Make sure all burner ports are lit and flame height matches illustration.
7. Repeat steps 3-6 for second burner.

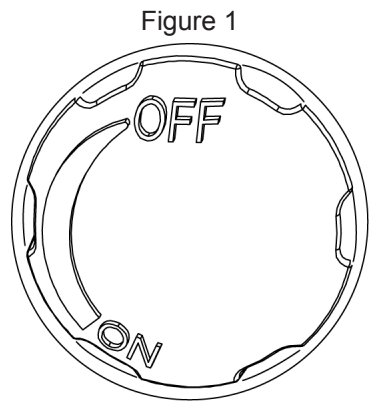


Figure 2

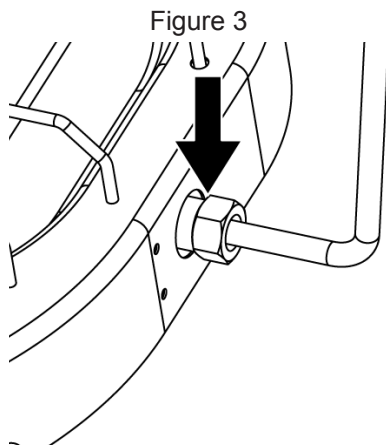
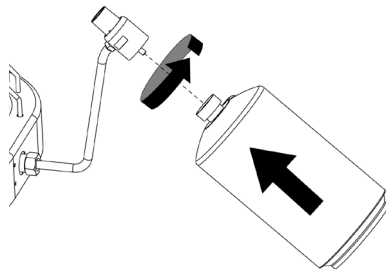


Figure 4

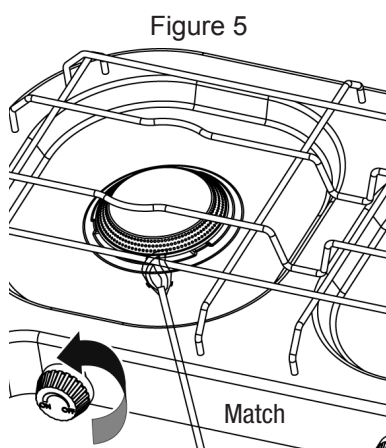
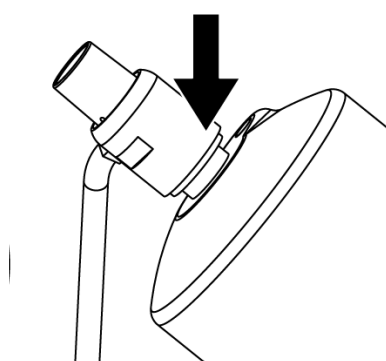
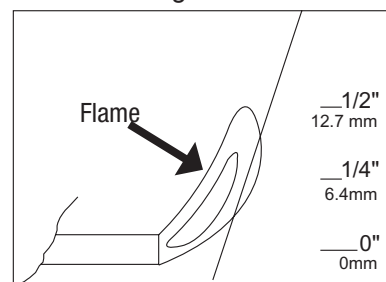


Figure 6



⚠ CAUTION: If burner flame goes out during operation, immediately turn the gas "OFF" and let the gas clear for about 5 minutes before re-lighting.

Turning Off

1. Turn control knobs to the "OFF" position.
2. Remove LP gas tank and properly store tank.

First Use

1. Make sure all labels, packaging and protective films have been removed from the camp stove.
2. Remove manufacturing oils before cooking on this camp stove for the first time, by operating the camp stove for at least 5 minutes on "ON". This will "heat clean" the internal parts and dissipate odors.

Cooking

1. Ignite burner(s) per lighting instructions.
2. Wear protective gloves to place pots and/or pans onto burner grid.
3. Wear protective gloves and use long handled tongs to place food into the pots and/or pans above the lit burner(s).
4. Adjust controls to desired temperature.
5. Cook until desired internal food temperatures are achieved.
6. Turn camp stove "OFF" by turning control knob to the "OFF" position. Remove LP gas tank and properly store tank.

Cleaning and Care

⚠ CAUTION: All cleaning and maintenance should be done when camp stove is cool and with the fuel supply disconnected.

⚠ CAUTION: DO NOT clean any camp stove part in a self cleaning oven. The extreme heat will damage the finish.

⚠ CAUTION: Keep camp stove clear and free from combustible materials, gasoline, and other flammable vapours and liquids.

⚠ CAUTION: Do NOT obstruct the flow of combustion and ventilation air.

Notices

1. Abrasive cleaners will damage this product.
2. Never use oven cleaner to clean any part of camp stove.
3. Do not clean any camp stove part in a self cleaning oven. The extreme heat will damage the finish.

Inspecting

This camp stove should be inspected on a regular basis to ensure product safety and longer product life.

⚠ WARNING: Do NOT attempt to clean this camp stove unless the flames are COMPLETELY out and unit is cool to the touch.

1. Check burner to make sure it is secure.
2. Check venturi to make sure it is clear and free of spider nests.
3. Check all gas connections for leaks.
4. Check components for any signs of damage or rust.
5. If damage to any component is detected, do NOT operate until repairs are executed.

Cleaning Surfaces

⚠ WARNING: Do NOT attempt to clean this camp stove unless the flames are COMPLETELY out and unit is cool to the touch.

⚠ WARNING: Do NOT use oven cleaner or abrasive cleaners as they will damage this product.

1. Wipe surfaces clean with mild dishwashing detergent or baking soda.
2. For stubborn surfaces use a citrus based degreaser and a nylon scrubbing brush.
3. Rinse clean with water.

Assembly Instructions

Cleaning Burner

1. Turn gas "OFF" at the control knob and remove LP gas tank.
2. Remove regulator.
3. Remove burner grids
4. Remove burner.
5. Clean inlet of burner with small bottle brush or compressed air.
6. Remove all food residue and dirt on burner surface.
7. Clean any clogged ports with a stiff wire (such as an opened paper clip)
8. Inspect burner for any damage (cracks or holes). If damage is found, replace with new burner.
9. Reinstall burner. Reconnect regulator.
10. Replace burner grid.
11. Perform leak test.

Product Registration

For faster warranty service, please register your product immediately at www.bluerhino.com or call 1.800.762.1142.

Limited Warranty

Blue Rhino Global Sourcing, Inc ("Vendor") warrants to the original retail purchaser of this product, and to no other person, that if this product is assembled and operated in accordance with the printed instructions accompanying it, then for a period of one (1) year from the date of purchase, all parts in such product shall be free from defects in material and workmanship. Vendor may require reasonable proof of your date of purchase. Therefore, you should retain your sales slip or invoice. This Limited Warranty shall be limited to the repair or replacement of parts, which prove defective under normal use and service and which Vendor shall determine in its reasonable discretion upon examination to be defective. Before returning any parts, you should contact Vendor's Customer Service Department using the contact information listed below. If Vendor confirms, after examination, a defect covered by this Limited Warranty in any returned part, and if Vendor approves the claim, Vendor will replace such defective part without charge. If you return defective parts, transportation charges must be prepaid by you. Vendor will return replacement parts to the original retail purchaser, freight or postage prepaid.

This Limited Warranty does not cover any failures or operating difficulties due to accident, abuse, misuse, alteration, misapplication, improper installation or improper maintenance or service by you or any third party, or failure to perform normal and routine maintenance on the product as set out in this owner's manual. In addition, the Limited Warranty does not cover damage to the finish, such as scratches, dents, discoloration, rust or other weather damage, after purchase.

This Limited Warranty is in lieu of all other express warranties. Vendor disclaims all warranties for products that are purchased from sellers other than authorized retailers or distributors, including the warranty of merchantability or the warranty of fitness for a particular purpose. VENDOR ALSO DISCLAIMS AND ANY ALL IMPLIED WARRANTIES, INCLUDING WITHOUT LIMITATION THE IMPLIED WARRANTIES OF MERCHANTABILITY AND FITNESS FOR A PARTICULAR PURPOSE. VENDOR SHALL NO LIABILITY TO PURCHASER OR ANY THIRD PARTY FOR ANY SPECIAL, INDIRECT, PUNITIVE, INCIDENTAL, OR CONSEQUENTIAL DAMAGES. Vendor further disclaims any implied or express warranty of, and assumes no responsibility for, defects in workmanship caused by third parties.

This Limited Warranty gives the purchaser specific legal rights; a purchaser may have other rights depending upon where he or she lives. Some jurisdictions do not allow the exclusion or limitation of special, incidental or consequential damages, or limitations on how long a warranty lasts, so the above exclusion and limitations may not apply to everyone.

Vendor does not authorize any person or company to assume for it any other obligation or liability in connection with the sale, installation, use, removal, return, or replacement of its equipment, and no such representations are binding on Vendor.

Blue Rhino Global Sourcing, Inc
Winston-Salem, North Carolina USA
(800) 762-1142

Contact 1.800.762.1142 for assistance. Do not return to place of purchase.

Troubleshooting

Problem	Possible Cause	Prevention/Cure
Burner will not light with match	No gas flow.	Check if LP gas tank is empty.
	Obstruction of gas flow.	Clear burner.
	Spider webs or insect nest in burner tube.	Clean burner tube.
	Burner ports clogged or blocked.	Clean burner ports.
Irregular flame pattern, flame does not run the full length of burner.	Burner ports are clogged or blocked.	Clean burner ports.
Flame is yellow or orange	New burner may have residual manufacturing oils.	Burn camp stove for 5 minutes.
	Spider webs or insect nest in burner tube.	Clean burner tube.
	Food residue, grease or seasoning salt on burner.	Clean burner.
Flame blow out	High or gusting winds.	Turn front of camp stove to face wind or increase flame height.
	Low on LP Gas.	Replace LP gas tank.
Flare-up	Grease buildup.	Clean camp stove.
Persistent grease fire.	Grease trapped by food buildup around burner system.	Turn knobs to "LOCK OFF POSITION." Let fire burn out. Leave lid in closed position and let fire burn out. After camp stove cools, remove and clean all parts.
Flashback (fire in burner tube(s))	Burner and/or burner tube is blocked.	Clean burner and/or burner tube.

Si necesita ayuda llame al 1.800.762.1142. No vuelva al lugar de compra.

Resolución de problemas

Problema	Causa posible	Prevención/medida correctiva
El quemador no se enciende con una cerilla.	No hay flujo de gas.	Compruebe si el tanque de propano líquido está vacío.
	Obstrucción del flujo de gas.	Limpie el quemador.
	Telarañas o nidos de insectos en el venturi.	Limpie el tubo del quemador.
	Bocas del quemador atascadas u obstruidas.	Limpie las bocas del quemador.
Falta de uniformidad en la llama, la llama no cubre toda la longitud del quemador.	Bocas del quemador atascadas u obstruidas.	Limpie las bocas del quemador.
	Bocas del quemador atascadas u obstruidas.	Limpie las bocas del quemador.
	Telarañas o nidos de insectos en el venturi.	Limpie el tubo del quemador.
	Restos de alimentos, grasa o sal para condimentar en el quemador.	Limpie el quemador.
La llama es de color amarillo o naranja.	Puede que el nuevo quemador tenga aceites residuales del proceso de fabricación.	Haga funcionar la cocina durante 15 minutos con la tapa cerrada.
	Telarañas o nidos de insectos en el venturi.	Limpie el tubo del quemador.
	Restos de alimentos, grasa o sal para condimentar en el quemador.	Limpie el quemador.
La llama se apaga.	Vientos fuertes o racheados.	Gire el frente de la cocina de cara al viento o aumente la altura de la llama.
	Nivel de gas del tanque de propano bajo.	Sustituya el tanque.
Fogonazo.	Formaciones de grasa.	Limpie la cocina.
	Grasa atascada por la acumulación de comida alrededor del sistema de quemadores.	Gire las perillas a la posición "LOCK OFF" (apagado con cierre puesto). Deje la tapa cerrada y deje que el fuego se consuma. Una vez se haya enfriado la cocina, quite y limpie todas las piezas.
Centelleos (hay fuego en el (los) tubo(s) del quemador).	El quemador y/o el tubo del quemador están bloqueados.	Limpie el quemador y/o los tubos del quemador.

Para ayuda más detallada, sírvase visítarnos en www.bluerhino.com o llámanos al 1.800.762.1142 para ayudarlo inmediatamente.

Cocinilla de campamento a gas propano líquido para exteriores, Modelo no. GCT803W

Limpieza y cuidado (continuación)

Limpieza de las superficies

▲ ADVERTENCIA: NO intente limpiar esta cocinilla de campamento a menos que las llamas estén COMPLETAMENTE apagadas y la unidad esté fría al tacto.

▲ ADVERTENCIA: NO use limpiador de horno ni limpiadores abrasivos, ya que estos causarían daño al producto.

1. Limpie las superficies con un detergente suave de lavado de platos o con soda de hornear.
2. En superficies de limpieza difícil, use un desengrasador a base de cítricos y un cepillo de nylon.
3. Enjuague las superficies con agua limpia.

Limpieza del quemador

1. Apague el gas con la perilla de control y remueva el tanque de gas propano líquido.

2. Remueva el regulador.

3. Remueva las rejillas del quemador.

4. Remueva el quemador.

5. Limpie el orificio de entrada del quemador con un cepillo pequeño de limpiar botellas o con chorro de aire comprimido.

6. Remueva de la superficie del quemador todo residuo de comida o suciedad.

7. Limpie cualquier puerto que encuentre tapado con un alambre rígido, tal como un sujetapapeles abierto.

8. Examine el quemador para detectar daños – como rajaduras o huecos. Si encuentra algún daño reemplace el quemador.

9. Vuelva a instalar el quemador. Vuelva a conectar el encendedor y coloque nuevamente el resguardo contra el viento y el regulador.

10. Vuelva a colocar la rejilla del quemador.

11. Haga una prueba de fugas.

Para beneficiar del servicio de garantía más rápidamente, sírvase registrar su unidad inmediatamente visitando nuestro sitio Internet www.bluerhino.com o llamando al 1.800.762.1142.

Registro del producto

Garantía limitada

Blue Rhino Sourcing, Inc (“el fabricante”) garantiza al comprador original, al detal, de este producto, y a ninguna otra persona, que si la unidad se arma y opera de acuerdo con las instrucciones impresas que la acompañan y por un periodo de un (1) año a partir de la fecha de compra, todas las piezas de este producto estarán libres de defectos en material y mano de obra. El fabricante podrá requerir prueba razonable de la fecha de compra. Por lo tanto, usted debe conservar el recibo de venta o la factura. Esta garantía limitada estará limitada a la reparación o reemplazo de las piezas que resulten defectuosas en condiciones de servicio y uso normal y las que un examen indique, a satisfacción del fabricante, que están defectuosas. Antes de devolver cualquier pieza, comuníquese con el Departamento de Servicio al Cliente (Customer Service Department) del fabricante. Si el fabricante confirma el defecto y aprueba el reclamo, el fabricante decidirá reemplazar tales partes sin costo alguno. Si se le pide que devuelva las partes defectuosas, los costos de transporte deberán ser prepagados. El fabricante devolverá las partes al cliente con costo de transporte o envío prepagados.

Esta garantía limitada no cubre fallas o dificultades de operación debidas a accidente, abuso, mal uso, alteración, empleo en usos inapropiados, instalación defectuosa o mantenimiento o servicio inapropiado o falla en la realización de mantenimiento normal y rutinario como se prescribe en este manual del usuario.

Además, la garantía limitada no cubre daños al terminado de la unidad, tales como rasguños, abolladuras, descoloridos, oxidaciones y otros daños causados por la intemperie después de la compra de la unidad.

Esta garantía limitada reemplaza cualquier otra garantía. El fabricante no asume ninguna responsabilidad por garantías de productos vendidos por quienes no sean distribuidores o vendedores al detal autorizados. Esta exención de responsabilidad incluye cualquier garantía de comerciabilidad o la garantía de aptitud para un propósito en particular. EL FABRICANTE NO SE HACE RESPONSABLE POR NINGUNA GARANTIA IMPLÍCITA INCLUYENDO, SIN LIMITACIONES, LAS GARANTIAS IMPLÍCITAS DE COMERCIABILIDAD Y ADAPTABILIDAD A UN PROPOSITO PARTICULAR. EL FABRICANTE NO ASUME RESPONSABILIDAD ANTE EL COMPRADOR O ANTE CUALQUIER TERCERA PERSONA POR DAÑOS ESPECIALES, INDIRECTOS, PUNITIVOS, INCIDENTALES O CONSECUENCIALES. El fabricante, además, no asume responsabilidad por garantías implícitas o expresas por defectos de mano de obra causados por terceras personas. Esta garantía limitada le da al comprador derechos legales específicos y el comprador puede tener otros derechos según el lugar donde el comprador o la compradora residan. Ciertas jurisdicciones no permiten limitaciones en cuanto a la duración de una garantía implícita, de manera que esta limitación puede no ser aplicable a usted.

El fabricante no autoriza a ninguna persona o compañía para asumir por el fabricante cualquier otra obligación a responsabilidad relacionada con la venta, instalación, uso, remoción, devolución o reemplazo de este equipo y cualquier representación de esta naturaleza no obliga al fabricante.

Blue Rhino Sourcing, Inc
Winston-Salem, North Carolina 27105, EE.UU.

(800)-762-1142

Instrucciones de operación

Esta cocina ha sido diseñada para operar con un tanque de propano de una libra (450 g) (cilindro DOT 39), de 7-3/8 pulgadas (19 cm) de altura, desechable, de 14,1 onzas.

!NO TRATE DE LLENAR TANQUES DE PROPANO DE UNA LIBRA (14,1 onzas)!

Conectar el tanque de gas

1. Asegúrese de que el regulador y la válvula de control estén a la posición "OFF" (apagado con cierre puesto), vea la Figura 1.
2. Lubrique la rosca de la válvula del regulador con vaselina de petróleo, introduzca el tanque de gas en la válvula del regulador y apriete con la mano la conexión firmemente (Figura 2).
3. Verifique que no han quedado fugas de gas.

Comprobar si hay fugas

- ### Conexiones del quemador
1. Asegúrese de conectar adecuadamente la válvula de control al quemador, vea la Figura 1.
- Si alguien armó la unidad para usted, verifique visualmente la conexión entre el tubo del quemador y la válvula de control.

ADVERTENCIA: El no inspeccionar esta conexión o seguir debidamente estas instrucciones puede causar incendio o explosión ocasionando muerte, graves lesiones o daños a la propiedad.

2. Si el tubo del quemador no queda a ras con el orificio, por favor llame al 1.800.762.1142.

Conexión del regulador y del tanque de 1 libra (450 g)

1. Prepare unos 80 ml de solución para comprobar si hay fugas mezclando una parte de jabón líquido para lavar platos y tres partes de agua.

2. Asegúrese de que la perilla de control está en la posición "OFF" (apagado), vea la Figura 1.
3. Vierta varias gotas de la solución con una cuchara o una botella de exprimir en la conexión del regulador y del tanque de propano, vea las Figuras 3 y 4.
4. Revise la solución en la conexión en busca de burbujas.

Si NO aparecen burbujas, la conexión es segura.

Si aparecen burbujas, hay una fuga.

- a. Afloje la conexión y vuelva a apretarla dejando segura la conexión.
- b. Haga otra prueba con la solución.

Si sigue observando burbujas después de varios intentos, desconecte la fuente de propano y llame al número de teléfono 1.800.762.1142 para solicitar asistencia técnica.

Encendido

! NO exponga la cocina de

campamento a vapores o líquidos inflamables durante el encendido.

1. Verifique que todas las etiquetas, envolturas de protección y empaques han sido removidos de la cocina.

2. Asegúrese de que no hay nada que obstruya el flujo de aire en la unidad de gas. Arañas y otros insectos pueden formar sus nidos dentro y obstruir los orificios del quemador/tubo de venturi. **Un tubo de quemador obstruido puede provocar un incendio debajo del aparato.**
3. Las perillas de control deben estar en la posición "OFF" (apagado).

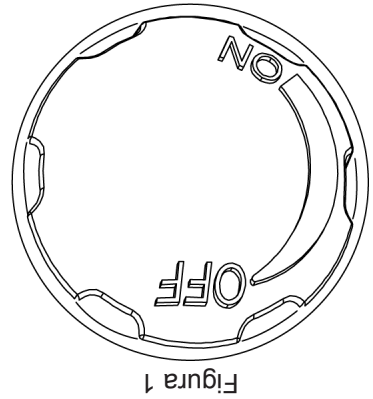


Figura 1

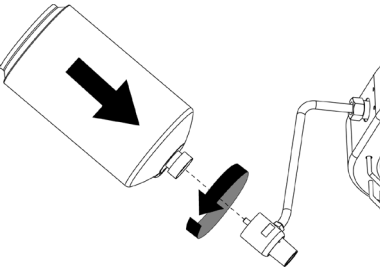


Figura 2

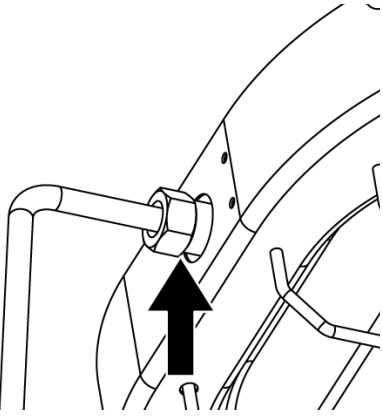


Figura 3

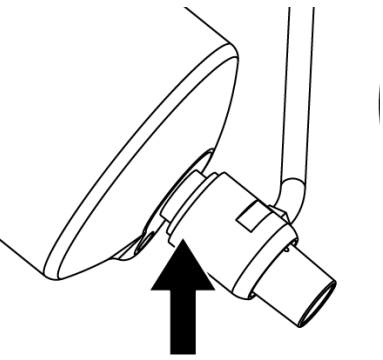


Figura 4

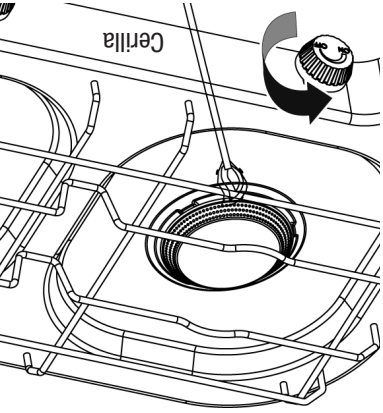


Figura 5

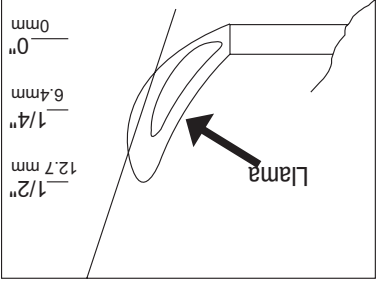


Figura 6

Si necesita ayuda llame al 1.800.762.1142. No vuelva al lugar de compra.

Limpieza y cuidado

- ! PRECAUCIÓN: Todas las operaciones de limpieza y mantenimiento deben realizarse con la cocina fría y con el suministro de combustible del tanque de propano líquido desconectado.**
- ! PRECAUCIÓN: NO limpie ninguna pieza de esta cocina en un horno de limpieza automática. El calor extremo dañará el terminado.**
- ! PRECAUCIÓN: Mantenga la cocina limpia y libre de materiales combustibles, gasolina y otros vapores y líquidos inflamables.**
- ! PRECAUCIÓN: NO obstruya el flujo de combustión y aire de ventilación.**

Avisos

1. No use productos de limpieza abrasivos pues dañarán este aparato.
2. No utilice nunca productos limpiadores para limpiar cualquier pieza de la cocina.
3. Nunca use ninguna pieza de esta cocina en un horno de limpieza automática. El calor extremo dañará el terminado.

Inspección

Esta cocina de campamento debe inspeccionarse con regularidad para garantizar la seguridad del producto y una larga vida útil.

! ADVERTENCIA: NO trate de limpiar esta cocina de campamento a menos que las llamas estén COMPLETAMENTE apagadas y la unidad esté fría al tacto.

1. Revise el quemador para comprobar que esté seguro.
2. Revise el tubo venturi para asegurarse de que está limpio y libre de nidos de arañas.
3. Revise las conexiones de gas para asegurar que no hayan fugas.
4. Revise los componentes en busca de señales de daño o corrosión.
5. Si detecta daño en cualquiera de los componentes, NO opere el producto hasta que se hayan realizado las reparaciones.

Cocción

1. Encienda el (los) quemador(es) siguiendo las instrucciones de encendido.
2. Use guantes de protección para colocar cacerolas o ollas en la parrilla de cocción.
3. Use guantes de protección y tenacillas de mango largo para colocar los alimentos en las cacerolas o en las ollas sobre los quemadores encendidos.
4. Ajuste los controles a la temperatura deseada.
5. Haga la cocción de los alimentos hasta que la temperatura interna del alimento se haya alcanzado.
6. Apague la cocina de campamento girando la perilla de control a la posición "OFF" (apagado). Remueva el tanque de gas propano y guárdelo en un lugar apropiado.

Uso por primera vez

1. Verifique que todos los empaques, etiquetas y envolturas de protección han sido removidos de la cocina.
2. Remueva todo aceite de fabricación que encuentre en la unidad antes de usar la cocina (encendido). Esto realizará una "limpieza por calor" en las piezas internas de la unidad y hará que los olores se disipen.

Apagado:

1. Gire la perilla de control a la posición "OFF" (apagado).
2. Remueva el tanque de gas propano líquido y guárdelo en un lugar apropiado.

Uso por primera vez

1. Verifique que todos los empaques, etiquetas y envolturas de protección han sido removidos de la cocina.
2. Remueva todo aceite de fabricación que encuentre en la unidad antes de usar la cocina (encendido). Esto realizará una "limpieza por calor" en las piezas internas de la unidad y hará que los olores se disipen.

! PRECAUCIÓN: Si la llama del quemador se apaga durante el funcionamiento, cierre el gas ("OFF") inmediatamente y espere que la zona quede despejada de gas antes de volver a encenderlo.

4. Usando guantes resistentes al calor, coloque un encendedor de butano largo o una cerilla larga encendida cerca del lado del quemador.
- a. Gire la perilla de control en sentido antihorario a la posición "ON" (encendido).
- b. Aleje la cerilla o encendedor de butano largo.
5. Si el quemador no se enciende en 5 segundos, gire la perilla de control del quemador a "OFF" (apagado), espere 5 minutos y repita el procedimiento de encendido.
6. Después de encender el quemador observe su llama y asegúrese de que todos los orificios estén encendidos y que la altura de la llama corresponda a la del diagrama.

1 NO DEVUELVA EL PRODUCTO AL LUGAR DE COMPRA.

Si necesita ayuda llame, sin cargo, al 1.800.762.1142. Por favor tenga a mano su manual y el número de serie de la unidad, para referencia.

Para facilitar el armado:

- Evite la pérdida de componentes pequeños o elementos de ferretería, armando el producto en un lugar de piso plano sin aberturas ni hendijas.
- Despeje un área suficientemente grande para disponer todos los componentes y los elementos de ferretería.
- Cuando sea del caso, apriete a mano, en un principio, las conexiones de ferretería. Una vez que ha terminado el paso, apriete completamente todos los elementos de ferretería.
- Siga todos los pasos en el orden indicado para armar debidamente esta unidad.

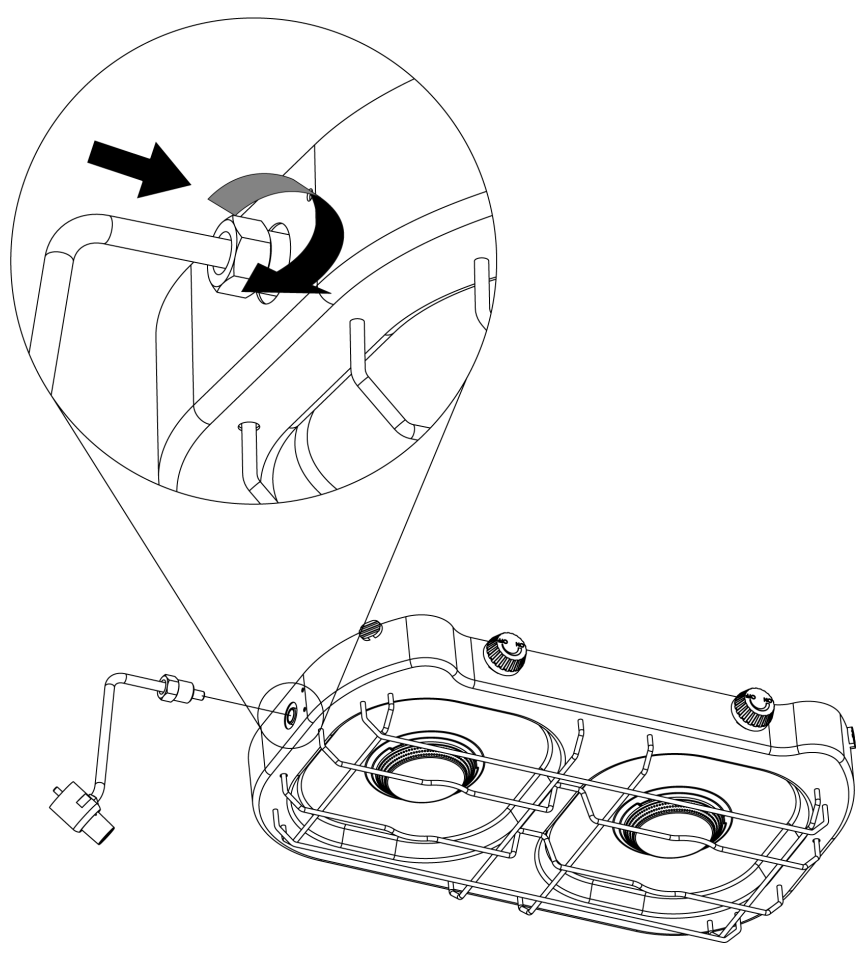
Para terminar el armado de la unidad necesitará:

- (1) solución para detección de fugas. Las instrucciones sobre cómo preparar esta solución se encuentran en la sección "Instrucciones de operación";
- (1) tanque de propano de 14,1 onzas (1 libra ó 450 g)

Nota: Es importante que siga en forma apropiada todos los pasos de armado de la cocinilla.

Tiempo de armado estimado: 5 minutos.

1

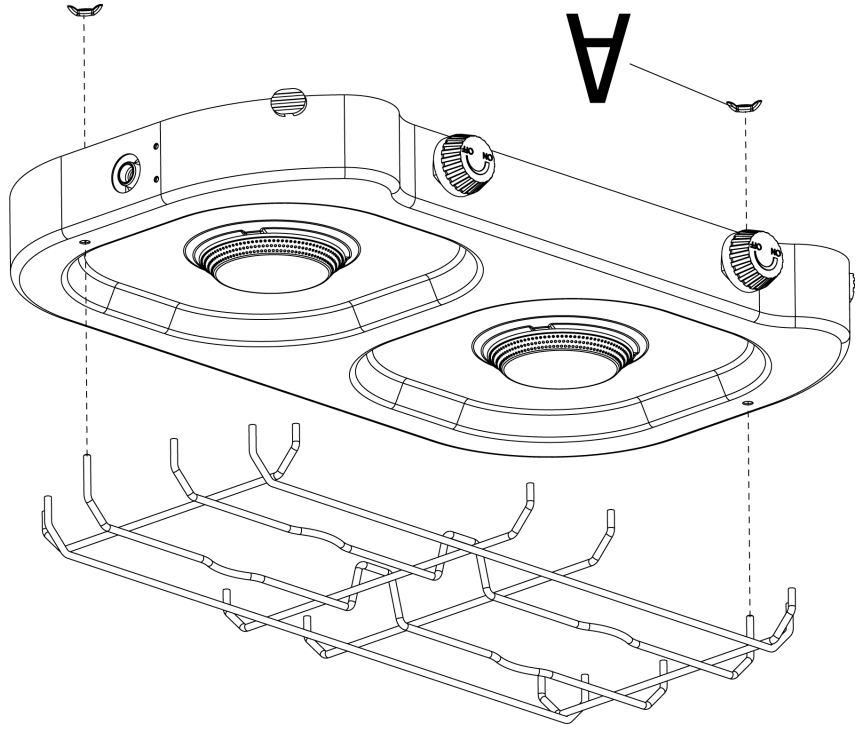


Fije el regulador

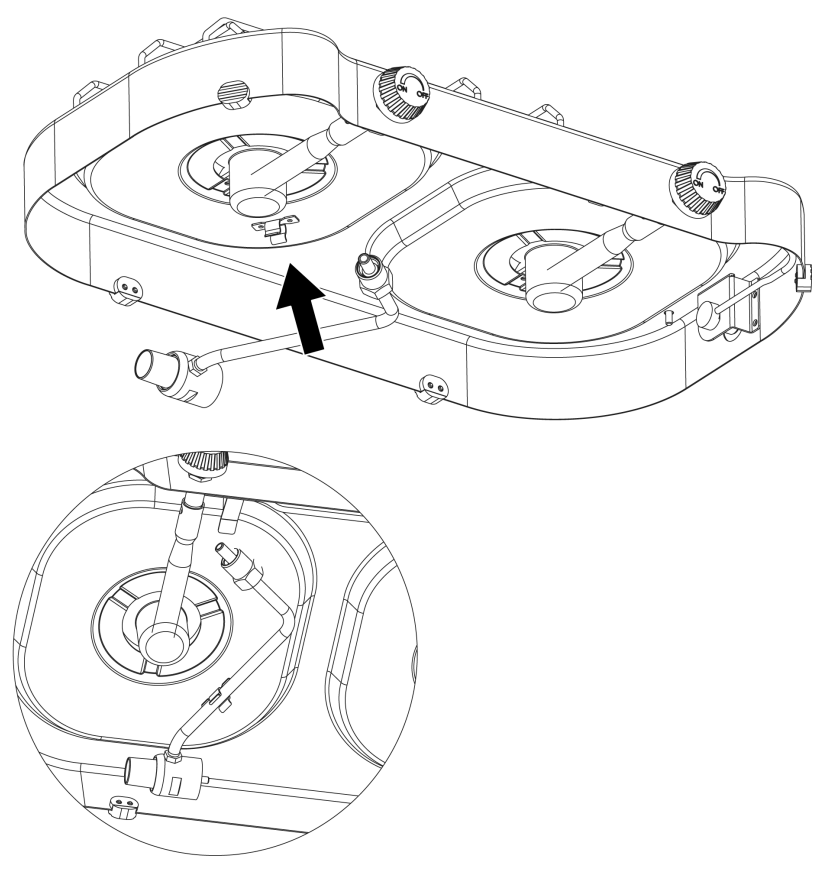
3

2

Fije la parrilla de cocción



A x 2



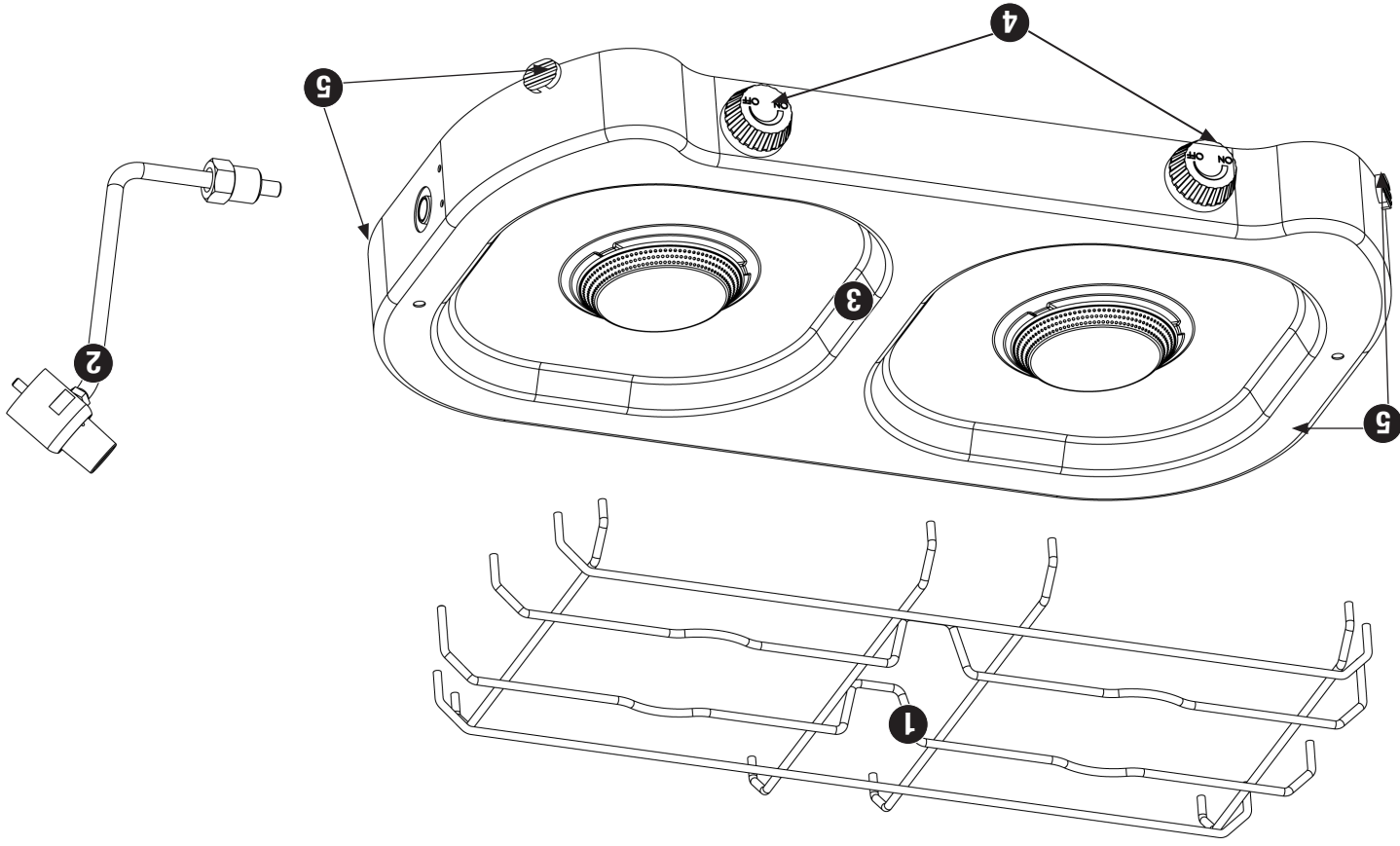
Almacenamiento del regulador cuando no se use

Lista de piezas

1	Parrilla de cocción	55-09-212
2	Regulador	55-09-214
3	Carcasa de la cocina	55-09-209
4	Perilla de control (2)*	55-09-211
5	Pie (4)	55-09-213

* Viene ensamblado

Diagrama de explosión



Elementos de ferretería

A	Tuerca de mariposa	Acero, M5	2 pzs
---	--------------------	-----------	-------

Cocinilla de campamento a gas propano líquido para exteriores, Modelo no. GCT803W

PELIGRO



- Si huele a gas -
1. No intente encender el aparato.
 2. Apague cualquier llama activa.
 3. Desconecte el aparato del suministro de combustible.

ADVERTENCIA



No guarde o use gasolina u otros líquidos o vapores inflamables cerca de esta unidad o de cualquier otro aparato.

▲ PELIGRO: El no seguir los avisos de peligro, las advertencias y las precauciones de este manual, puede ocasionar un incendio o una explosión, con sus consecuentes daños a la propiedad, lesiones personales y hasta accidentes fatales.

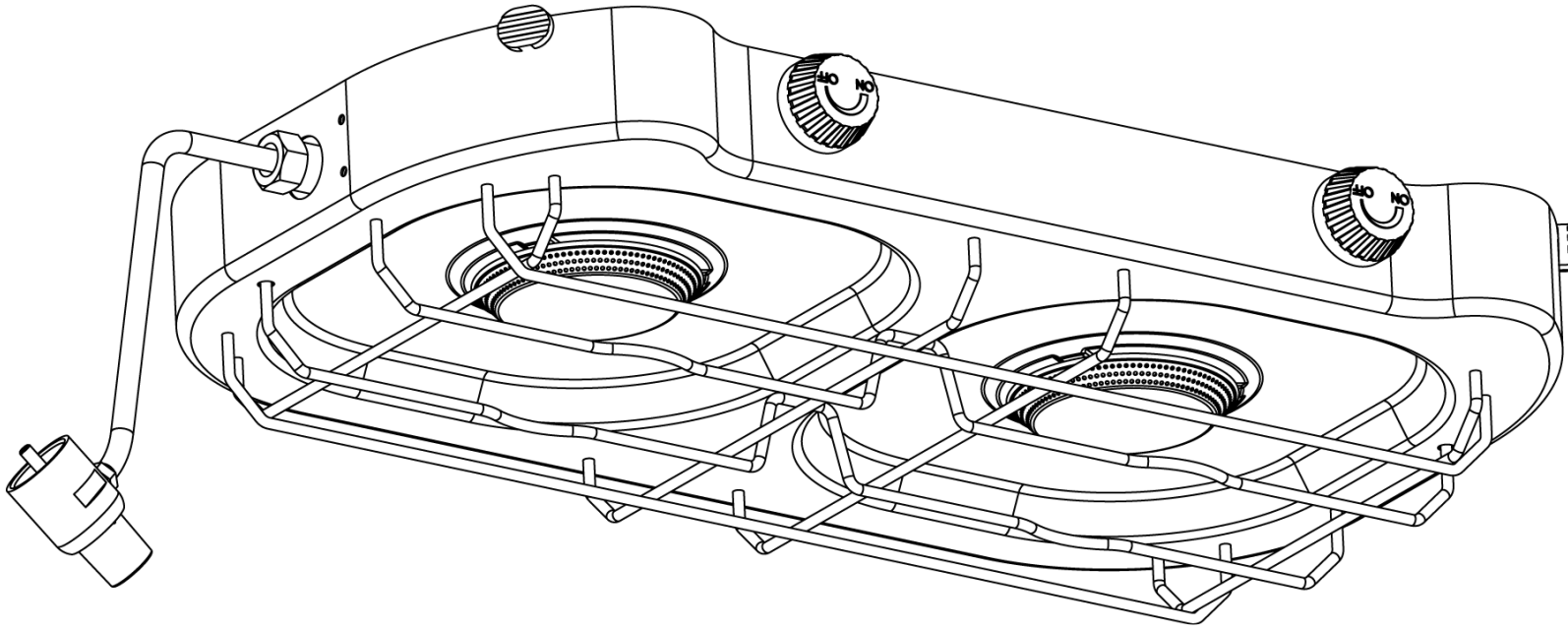
▲ ADVERTENCIA:

- ▲ Esta cocinilla es para ser usada al aire libre únicamente y no debe usarse en un edificio, garaje o cualquier otra área cerrada.
 - ▲ NO opere, encienda o use esta unidad a menos de 8 pies (2,43 m) de paredes estructuras o edificaciones.
 - ▲ Esta cocinilla de campamento NO ha sido diseñada para uso comercial.
 - ▲ Esta cocinilla utiliza únicamente gas de propano líquido (PL) como combustible.
 - ▲ El convertir o tratar de convertir esta cocinilla de gas propano líquido para ser usada con gas natural es peligroso e invalida la garantía de la unidad.
 - ▲ Características del propano líquido (PL):
 - a. El propano es inflamable y resulta peligroso si se manipula inadecuadamente. Antes de utilizar cualquier producto que emplee propano líquido, estudie detenidamente sus características.
 - b. El propano es un gas explosivo bajo presión, más denso que el aire y se asienta en pozos en zonas bajas.
 - c. En su estado natural, el propano no tiene ningún olor. Para su seguridad, se añade una esencia odorífera que huele a col podrida.
 - d. El contacto directo con el propano líquido puede causar quemaduras frias en la piel.
 - ▲ Nunca guarde un tanque adicional de propano debajo a menos de 10 pies (3,05 m) de esta unidad.
 - ▲ Un tanque de propano líquido que no esté conectado para su uso no se debe almacenar cerca de éste o cualquier otro aparato.
 - ▲ Se requiere un tanque de gas propano para hacer funcionar este aparato. Únicamente tanques marcados "Propano" pueden usarse en esta unidad.
 - ▲ El tanque de gas propano líquido (PL) debe estar fabricado y comercializado según las Especificaciones para tanques de gas PL del Departamento de Transporte (DOT) de EE.UU. o del Estándar nacional de Canadá, CAN/CSA-B339.
 - ▲ Verifique que el tanque de propano está colocado para facilitar la extracción de vapores.
 - ▲ Los tanques de propano líquido abollados u oxidados pueden ser peligrosos y deberían ser revisados por su proveedor de gas PL antes de utilizarlos.
 - ▲ No deje caer el tanque de gas propano líquido ni la maneje bruscamente. Los tanques de propano deben almacenarse en exteriores, en un lugar al aire libre siempre fuera del alcance de los niños y nunca en un garaje, edificio o espacio cerrado. Nunca almacene tanques de gas en un lugar en el que la temperatura supere los 125°F (51,5°C).
 - ▲ No intente nunca acoplar esta cocinilla al sistema de propano de un campero, de una casa móvil o de su propia casa.
 - ▲ El uso de bebidas alcohólicas, medicamentos o drogas de farmacia puede afectar la habilidad del usuario para armar debidamente u operar en forma segura esta aparato.
 - ▲ No use carbón de leña, líquido para encendedor, piedras volcánicas, gasolina, queroseno o alcohol con este aparato.
 - ▲ Todas las conexiones de gas de su cocinilla han sido verificadas en fábrica en cuanto a fugas de gas.
 - ▲ Pruebe la integridad de todas las conexiones ya que el movimiento en transporte puede aflojar algunas de ellas.
 - ▲ Verifique que no haya fugas aún si el aparato ha sido armado por otra persona.
 - ▲ No opere la unidad si hay una fuga de gas. Las fugas de gas pueden provocar un fuego o una explosión.
 - ▲ Antes de operar esta unidad, debe observar todos los procedimientos para verificar que no hay fugas de gas. Para evitar cualquier riesgo de fuego o de explosión al comprobar si hay fugas:
 - a. Compruebe siempre si hay fugas antes de encender la cocinilla, cada vez que el tanque de gas está conectado.
 - b. No fume. No use o permita fuentes de ignición en el área al comprobar si hay fugas.
 - c. Siempre compruebe si hay fugas en exteriores donde hay una buena ventilación.
 - d. No use cerillas o fósforos, encendedores o una llama para comprobar si hay fugas.
 - e. No use la cocinilla hasta que todas las fugas hayan sido reparadas. Si no puede parar una fuga, desconecte el tanque de propano. Llame a nuestro servicio de atención al cliente, a un técnico o a su proveedor de propano local.
 - ▲ No utilice el equipo en una atmósfera explosiva. Mantenga la zona de la cocinilla libre de materiales combustibles, gasolina y cualquier otro vapor o líquido inflamable.
- ▲ Mantenga todo material y superficies combustibles a por lo menos 53 cm (21 pulgadas) de la cocinilla en todo momento. NO use esta cocinilla debajo de aleros o cerca de construcciones combustibles que no estén debidamente protegidas.
 - ▲ Es fundamental mantener limpio el compartimiento de la válvula de la cocinilla, los quemadores y los conductos de aire circulante. Inspeccione la cocinilla antes de cada uso.
 - ▲ No altere la cocinilla de ninguna forma.
 - ▲ No utilice la cocinilla a menos que esté COMPLETAMENTE montada y que todas las piezas estén bien fijadas y apretadas.
 - ▲ Esta cocinilla debe limpiarse y verificarse completamente de manera regular.
 - ▲ Utilice únicamente el regulador incluido. El regulador de de repuesto será el especificado por el fabricante.
 - ▲ Use únicamente piezas autorizadas de fábrica de Blue Rhino Global Sourcing, Inc. El uso de cualquier pieza no autorizada de fábrica puede ser peligroso. Su uso invalida su garantía.
 - ▲ No encienda esta unidad sin haber leído las instrucciones de operación que se encuentran en este manual.
 - ▲ No toque las piezas de metal de la cocinilla hasta que no se haya entrado completamente (alrededor de 45 minutos) para evitar quemaduras, a menos que usted tenga puestos elementos de protección tales como guantes o almohadilla para las ollas, guantes de barbacoa, etc.
 - ▲ No instalar o utilizar en embarcaciones o vehículos de recreo.
 - ▲ Cuando esté cocinado, tenga fácilmente accesibles los elementos para extinguir un incendio. En caso de que la sustancia de freír se incendie no trate de extinguir el fuego con agua. Use un extinguidor de material químico seco tipo BC o ahogue el fuego con tierra, arena o soda de hornear.
 - ▲ No utilice la cocinilla si hace mucho viento.
 - ▲ Nunca se apoye sobre la cocinilla cuando la está encendiendo.
 - ▲ NO use esta cocinilla si alguna de sus partes se ha sumergido en agua. Llame inmediatamente a un técnico de servicio certificado para que inspeccione el producto y para que reemplace cualquier pieza del sistema de control o cualquier control de gas que se haya sumergido en agua.
 - ▲ NO deje una cocinilla encendida sin vigilancia, especialmente, mantenga los niños y las mascotas lejos de la cocinilla en todo momento.
 - ▲ No intente mover la cocinilla mientras esté encendida. Deje que la cocinilla se enfríe antes de moverla o guardarla.
 - ▲ El almacenamiento del aparato en un espacio cerrado sólo está permitido si el tanque está desconectado, desmontado del aparato y guardado al aire libre.
 - ▲ No trate de desconectar el regulador de gas del tanque, o cualquier otro accesorio de la línea de gas, mientras esté usando la cocinilla.
 - ▲ Desconecte el tanque de gas cuando no lo esté utilizando.
 - ▲ Coloque siempre la cocinilla sobre una superficie firme, nivelada y no sea combustible. Una superficie de asfalto o de pavimento puede que no sea adecuada para este propósito.
 - ▲ No coloque la cocinilla directamente sobre el suelo de terrazas de madera ni sobre mesas de madera para picnic.
 - ▲ Mantenga todos los cables eléctricos lejos de una cocinilla caliente.
 - ▲ No use la cocinilla para cocinar adentro o calentar el ambiente. Los gases TOXICOS pueden acumularse y provocar la asfixia.
 - ▲ Después de un periodo de almacenamiento o de falta de uso de la unidad, verifique que no haya fugas u obstrucciones en el quemador e inspeccione la manguera para detectar zonas gastadas o cortes en ella.
 - ▲ Si la cocinilla no se está usando, desconecte el tanque de gas y guárdelo en un lugar adecuado.
 - ▲ Use siempre un termómetro para carne para asegurar que la comida ha quedado cocida a la temperatura apropiada.
 - ▲ Nunca cubra la totalidad del área de cocción con papel de aluminio.
 - ▲ Nunca guarde un tanque adicional de propano debajo o cerca de este aparato.
 - ▲ Por favor, use guantes de protección cuando esté armando este producto.
 - ▲ No trate de forzar las piezas juntas pues esto puede ocasionar lesiones o dañar el producto.
 - ▲ El no seguir exactamente las instrucciones dadas arriba puede producir daños a la propiedad, lesiones serias y hasta fatales.

MANUAL DEL USUARIO

Cocinilla de campamento a gas propano líquido para exteriores

Modelo no. GCT803W



	PELIGRO
PELIGRO DE MONOXIDO DE CARBONO	
<ul style="list-style-type: none"> • Esta unidad produce monóxido de carbono el cual es inodoro. • El usarla en un espacio cerrado puede ser mortal. • Nunca use esta unidad en un espacio cerrado tal como en un campero, una tolda, un automóvil o en la casa. 	

	ADVERTENCIA
PARA SU SEGURIDAD:	
Solamente para uso en exteriores (fuera de cualquier recinto)	

	ADVERTENCIA
PARA SU SEGURIDAD:	
<ol style="list-style-type: none"> 1. Una instalación, ajuste, alteración, reparación o mantenimiento inadecuados pueden causar lesiones o daños a la propiedad. 2. Lea atentamente las instrucciones de instalación, funcionamiento y mantenimiento del equipo antes de instalarlo, ponerlo en marcha o darle servicio. 3. El no seguir estas instrucciones puede ocasionar un incendio o una explosión, con sus consecuentes daños a la propiedad, lesiones personales y hasta accidentes fatales. 	

Conserve estas instrucciones para futuras consultas. Si esta montando esta unidad para otra persona, entregue este manual para futuras consultas.

Índice	
Salvaguardias importantes	2
Diagrama de explosión y elementos de ferretería	3
Instrucciones de armado	4
Instrucciones de operación	5
Conectar el tanque de gas	5
Comprobar si hay fugas	5
Encendido	5
Apagado	5
Uso por primera vez	5
Cocción	5
Limpieza y cuidado	5
Registro del producto	6
Garantía limitada	6
Resolución de problemas	7

El uso e instalación de este producto ha de realizarse de acuerdo con los códigos locales. Si no existen códigos locales, use las normas siguientes: *Código Nacional para Gas y Combustibles, ANSI Z223.1/NFPA 54, CAN/CGA-B149.1, Código de Instalación de Propano y Gas Natural.*

Proposición 65 de California: La combustión del propano crea productos químicos considerados por el Estado de California como causantes de cáncer, malformaciones congénitas u otros daños reproductivos.



Fabricado en China para:
 Blue Rhino Global Sourcing, Inc
 Winston-Salem, NC 27104 EE.UU.
 1.800.762.1142, www.bluerhino.com

© 2008 Blue Rhino Global Sourcing, Inc. Todos los derechos reservados.